



# COLLI DRILL

COLLI DRILL Società per Azioni – via Traversa del Grillo, 11 – 00060 CAPENA (ROMA) – ITALY  
Telefono +39-06.908.5000 Fax +39-06.908.5301 – Codice Fiscale 03917070728 – Partita IVA IT 04167771007  
Capitale Sociale € 1.500.000 i.v. – Registro Imprese Roma n. 03917070728 – R.E.A. Roma n. 682947 – Import-Export Rm 023296 – Ruolo Agenti Rm 034082  
✉ [web@collidrill.it](mailto:web@collidrill.it) – [www.collidrill.it](http://www.collidrill.it)

**SINCERT**

Produzione aste di perforazione saldate ad attrito | Production of friction welded drill rods · Motocompressori | Air compressor · Attrezzature di perforazione | Equipments for drilling

# DIRECTIONAL DRILLING

# TOOLS



# COLLI DRILL

COLLI DRILL Società per Azioni – via Traversa del Grillo, 11 – 00060 CAPENA (ROMA) – ITALY  
Telefono +39-06.908.5000 Fax +39-06.908.5301 – Codice Fiscale 03917070728 – Partita IVA IT 04167771007  
Capitale Sociale € 1.500.000 i.v. – Registro Imprese Roma n. 03917070728 – R.E.A. Roma n. 682947 – Import-Export Rm 023296 – Ruolo Agenti Rm 034082  
✉ web@collidrill.it – www.collidrill.it



Produzione aste di perforazione saldate ad attrito | Production of friction welded drill rods · Motocompressori | Air compressor · Attrezzature di perforazione | Equipments for drilling

<b>1. TRANSMITTER HOUSINGS.....</b>	<b>3</b>
<b>2. CROSSOVERS.....</b>	<b>6</b>
<b>3. STARTER RODS.....</b>	<b>7</b>
<b>4. STARTER RODS.....</b>	<b>8</b>
<b>5. CHUCK DRIVENS.....</b>	<b>9</b>
<b>6. BLADES.....</b>	<b>10</b>
<b>7. SPIRAL REAMERS.....</b>	<b>13</b>
<b>8. OPEN REAMERS.....</b>	<b>16</b>
<b>9. PULLING SWIVELS.....</b>	<b>17</b>
<b>10. PULLING SWIVELS BIG SIZE.....</b>	<b>19</b>

## 1 TRANSMITTER HOUSINGS

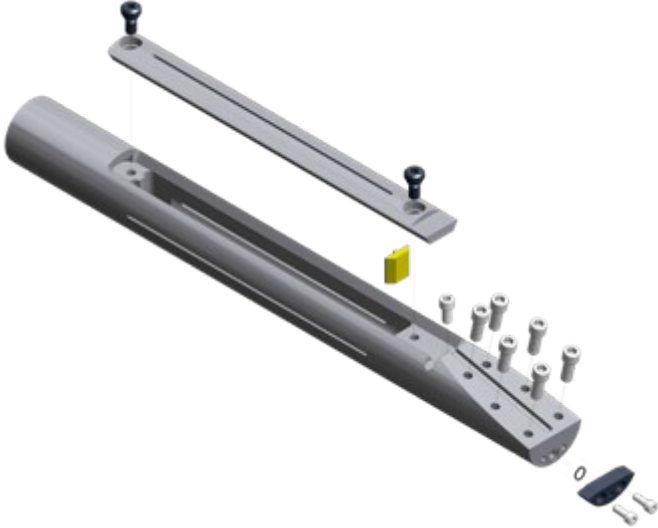

	<p>D.76 mm (3") available diameter. For 1.25"x15"-31.8x381mm DIGITRACK sonde. Side lid. Standard heavy duty nozzle, 1.80 mm diameter. 2"-3/8 A.R. standard female thread connection for rods.</p>
	<p>D.120 mm (4"-3/4) available diameter. For D.38.1x458 mm (1"-1/2) SUB-SIDE sonde. Side lid. Standard jetting heavy duty C2 type nozzles. High capacity flow (max 200 Lt/min). JT7020 female thread for rods.</p>

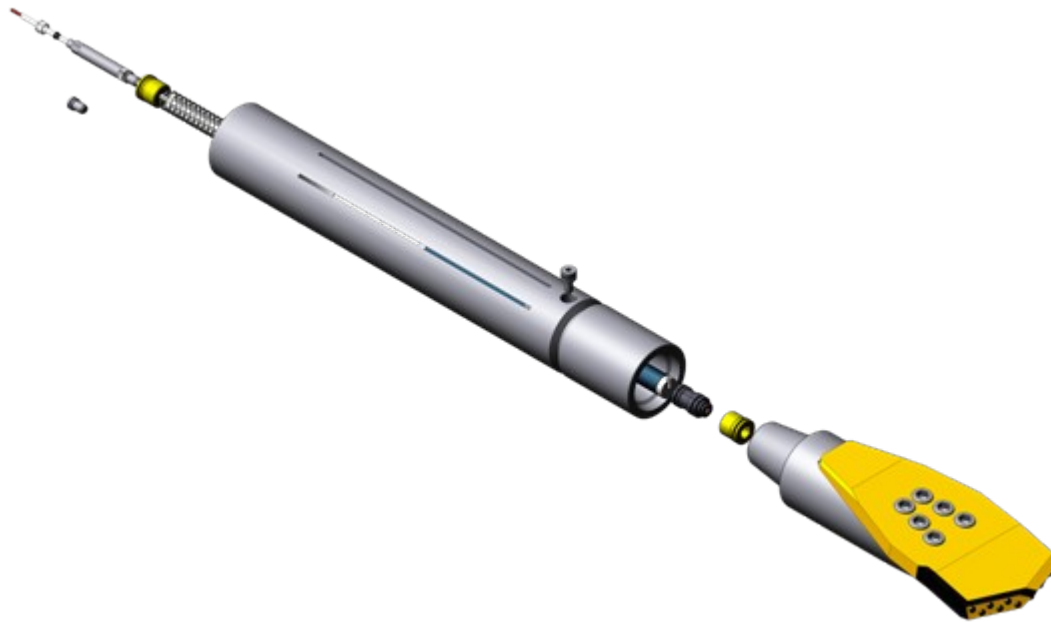
FIG. 1: THD76000

FIG. 2: THD1200



**D.120 mm (4"-3/4) available diameter.**  
**For D.38.1x458 mm (1"-1/2) SUB-SIDE sonde.**  
**Side lid.**  
**Threaded ends JT7020-3"-1/2 I.F. F/F.**  
**High capacity flow (max 200 Lt./min)**

**FIG. 3: THD1200A**

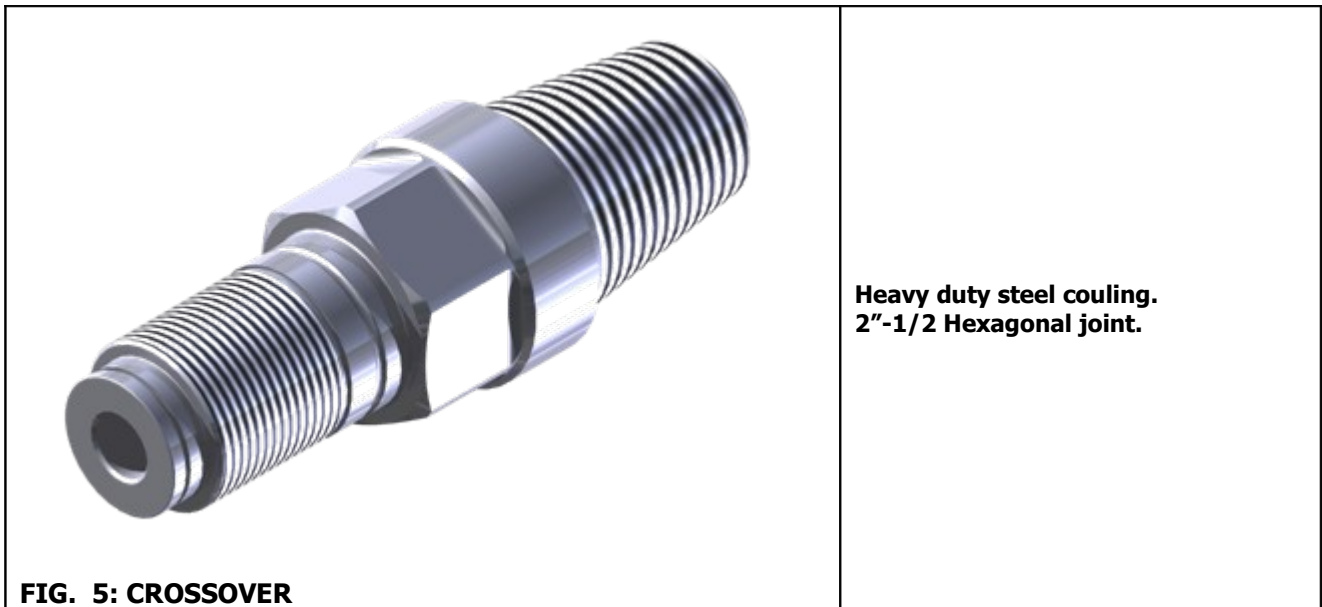


**FIG. 4: TH6CHART02**

**D. 115 available diameter. For Digitrack sonde 1.25"x15" (31.8x381) and 1.25"x19" (31.8x482.6), with cable or battery.**  
**High capacity flow (200 Lt/min max). 2"-7/8 I.F. female rod connection. 3"-1/2 A.R. female connection for blade holder. Easy sonde reference regulation.**

<b>CODE</b>	<b>DESCRIPTION</b>
THD76000	D76 TRANSMIT.HOUS.D35 2"3/8ARF
THD76003	LID FOR TRANSMITTER HOUSING D.76
THD76004	BOLTS KIT TRASM. THD76
THD76005	NOSE JET SONDE THD 76 (D.2.5)
THD76006	KEY SONDE FOR THD 76/70
THD12000	D.120 TRANSMITTER HOUSING JT7020
THD12003	D.120 TRANSMITTER HOUSING JT7020/IF
THD1200A	D.120 TRANSMITTER HOUSING 2"-7/8 I.F.
THD120A2	D.120 TRANSMITTER HOUSING ADAPTER FOR DIGITRACK
THD12001	D.120 TRANSMITTER HOUSING KIT
THD12002	D.120 TRANSMITTER HOUSING SONDE ADAPTOR
THD12004	LID FOR D.120 TRANSMITTER HOUSING
TH6CHART02	D.115 SONDE HOUS. 2"7/8IF F/ 3"
TH6CHART02/A	ADAPT.D.115 S.H./BLADE 3"1/2 AR
TH6CHART02/B	REF.PLUGS KIT DIG.TRASM./CABLE
TH6CHART02/C	SONDE LOCKING BOLTS
TH6CHART02/D	BLADE LOCKING BOLTS KIT
TH6CHNOZ50	NOZZLE TRASM. D.5.0 ( 8C214950)

## 2 CROSSOVERS



CODE	DESCRIPTION
THD76S4T-H	CROSS OVER HEX 2"1/2-2"3/8 AR M
THD76S4X-H	CROSS OVER HEX 2"1/2-2"7/8 IF M
TH01DT1703	CROSSOVER THD76-D24x40 (D3238)
TH01DT1708	CROSSOVER THD76-JT2720 (D3238)
TH01DT2330	CROSSOVER THD76-PAC DS PIN (D3238)

### 3 STARTER RODS



Heat treated 2"-1/2 hexagonal sliding collars with heavy duty ring on top for longer wear life.

**FIG. 6: HEX COLLAR**

CODE	DESCRIPTION
THD76CXX-H	HEX COLLAR 2"1/2 HARD FACED H.D.
THD76CXX	HEX COLLAR 64-ASTEC DD3238
TH01DT1043	HEX COLLAR 64 FOR T.H. D.76 (D3238)

## 4 STARTER RODS



**FIG. 7: STARTER ROD F/F THREAD**



**FIG. 8: TRANSITION SUB FEMALE ORIG. -MALE JT2720 THREADS**

Quick disconnect starter rods allow you to easily detach directional heads and reamers from your drill rig. A second retaining bolt minimize the weak link.



<b>CODE</b>	<b>DESCRIPTION</b>
THD76S6X-H	STARTER ROD HEX 2"1/2-F D2440
THD76S6J-H	STARTER ROD THD76 FEMALE ORIG. THREAD-JT2720 M
THD01DT2329	STARTER ROD THD76 BOX-2"-3/8 ASTEC (D3238)
THD76S3T	TRANSITION SUB HEX 2"-1/2 F. ORIG.-M JT2720

## 5 CHUCK DRIVENS



CODE	DESCRIPTION
32GB4483	CHUCK DRIVEN ASTEC D2440
32GB4483-A	CHUCK DRIVEN ASTEC 2 3/8 PIN

## 6 BLADES

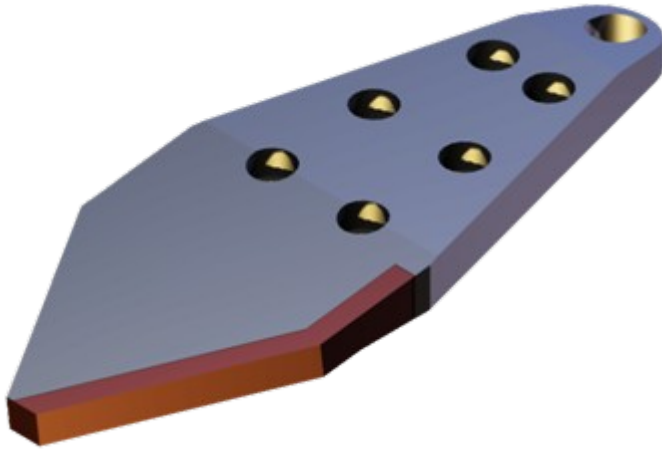


FIG. 10: CARBIDE TYPE BLADE

### CARBIDE TYPE

(for sand and sandy loams)

The CARBIDE TYPE Blade is particularly good in tough conditions like cobblestones. Its narrow taper enables it to wedge in between stones during the steering pushes without stopping to drill. The cutting edges are drenched with carbide chunks for a longer bit life.

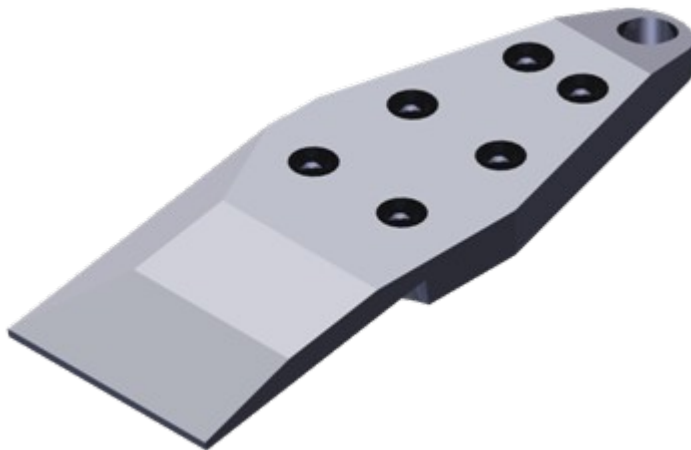


FIG. 11: CLAY TYPE BLADE

### CLAY TYPE

(for clay and standard soils)

Its low profile cutting edges are designed to reduce the drag. The underneath surface is hardfaced.

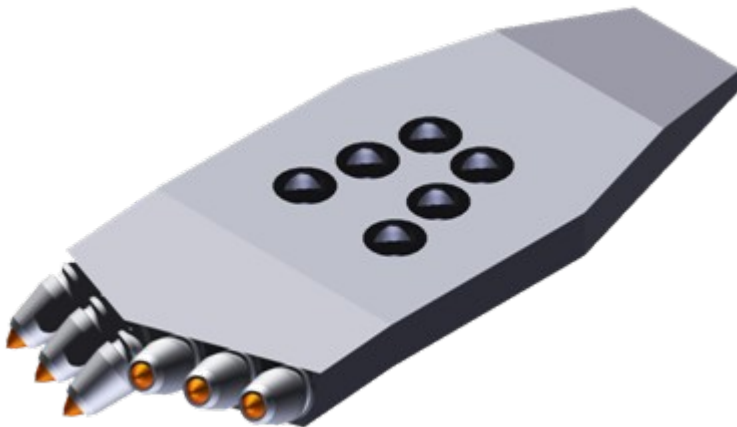
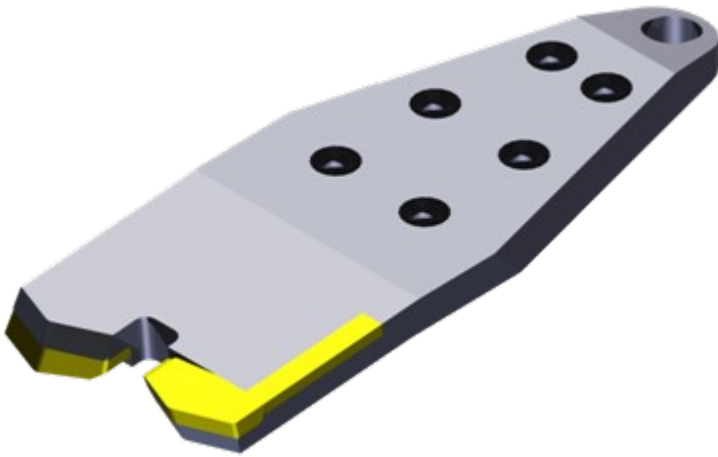


FIG. 12: PICK TYPE BLADE

### PICK TYPE

(for medium rocky soil conditions)

The PICK TYPE Blade is an extra large conical carbide cutter especially indicated for "nasty" soils. Its heat-treated steel is abrasion-resistant and all its wear edges are hardfaced. This makes the Pick Type Blade tough and long lasting. Its Bent blades are hardfaced to prevent excessive wear caused by high pressure drill fluids.



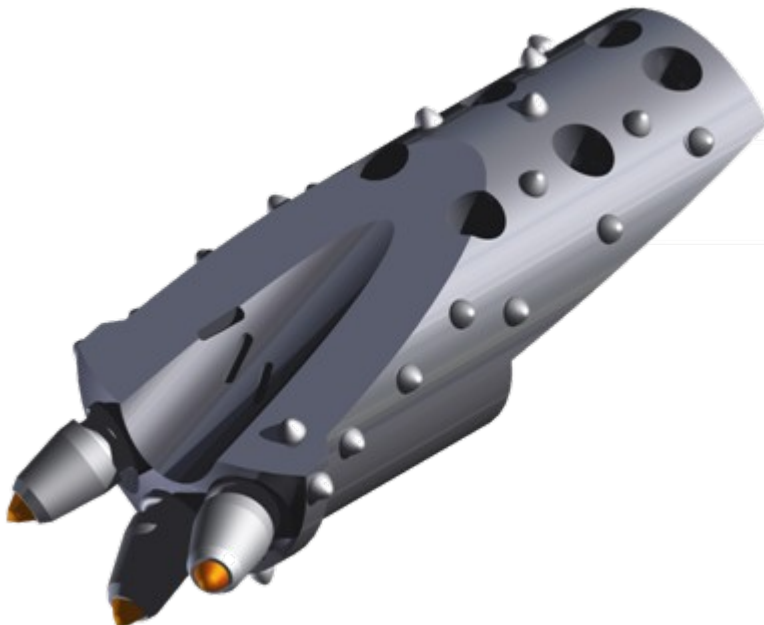
**FIG. 13: TIP TYPE BLADE**

**TIP TAP**  
 (for hardpan gravel dense clay)  
 The TIP TYPE Blade is particularly fit for slicing through hard, compact soils like hardpan and dense clay. Its cutting edges are carbide-tipped. This makes the directional push much easier. Since the TIP TYPE Blade cuts like a traditional rotational drill bit, it has an excellent breakout and drilling action. Moreover, the TIP TYPE Blade low-drag profile makes for effective action even in the toughest soils!



**FIG. 14: BUTTON TYPE BLADE**

**BUTTON TYPE**  
 (for hard rocky soil condition)  
 The Button Type Blade has cylindrical carbide buttons and it is especially fit for nasty soils. Its heat-treated steel is abrasion-resistant and all its wear edges are hardfaced. This makes the Button Type Blade long lasting. Its cutting edges are hardfaced to prevent excessive wear caused by high pressure drill fluids.



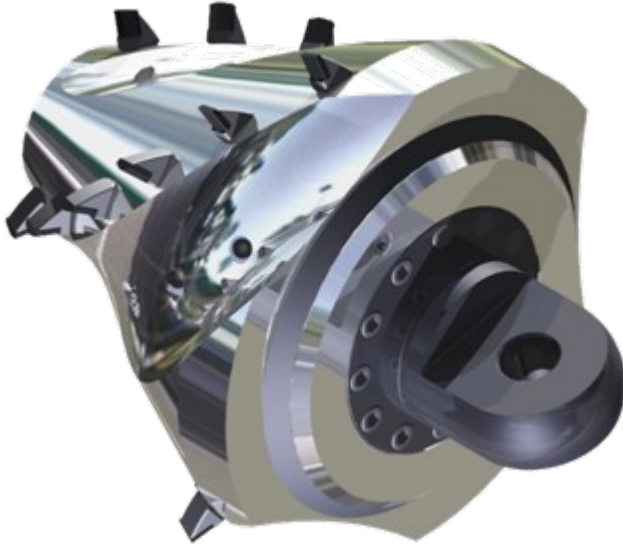
**FIG. 15: DRILLING HEAD**

**DRILL HEAD**  
 (for hard and rocky soils)  
 The DRILL HEAD is the bit for hard, compacted soils or glacial til. The DRILL HEAD is made of an abrasion-resistant steel. Solid tungsten carbides are placed on the cutting edges for maximum cutting power and minimum wear. The heavy duty nozzles placed beneath decrease the wear during the flow out of the drilling fluids

<b>CODE</b>	<b>DESCRIPTION</b>
TH6CHARTBA1	BLADE SQUARED TYPE (9"1/2)
TH6CHARTBX7	BLADE BUTTON TYPE (7")
THD76BXX	BLADE PICK TYPE FOR THD76 (5")
THD76BX1	BLADE CARBIDE TYPE FOR THD76(5")
THD76BX2	BLADE CLAY TYPE FOR THD76 D.4"
THD76BX3	BLADE TIP TYPE FOR THD76 D.5"
THD76BX5	BLADE CARBIDE TYPE FOR THD76 4"
THD76BX6	BLADE PICK TYPE FOR THD76 (4")
THD76BX7	BLADE BUTTON TYPE FOR THD76 (5")
THD76BX8	BLADE BUTTON TYPE FOR THD76 (4")
THD120B1	BLADE CARBIDE TYPE FOR THD120
THD120BX	BLADE BUTTON TYPE FOR THD120
	DRILL HEAD FOR THD76

## 7 SPIRAL REAMERS

**FIG. 16: SPIRAL PICK REAMER**

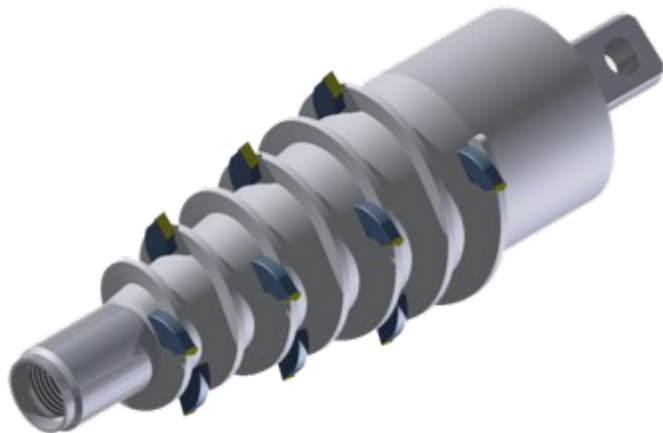


### **SPIRAL REAMERS**

(ASPS with picks, ASTS with teeth)  
 Sizes available from 150 to 500 mm.  
 Spiral. Cuts and slurrifies, while the flutes pump spoil to the backside of the reamer.

Cast, abrasion-resistant body includes swivel and hard facing. Cutting action is provided by carbide-tipped teeth or picks welded on it. Made for tough soil conditions. The SPIRAL REAMER has a long service life. (it can be reconditioned several times.) The pull capacity of the swivel inside the reamer depends on the reamer's size.

**FIG. 17: SPIRAL TOOTH REAMER**



### **COMPACTOR TOOTH REAMER**

The COMPACTOR TOOTH REAMER has a swivel inside. It offers effective piercing and dispersal action. Diameters available from 200 to 600 mm

**FIG. 18: COMPACTOR TOOTH REAMER**

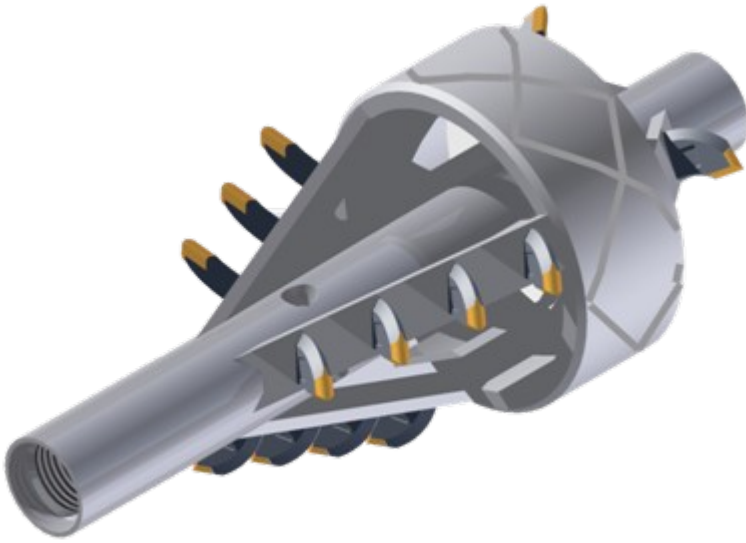
<b>CODE</b>	<b>DESCRIPTION</b>
ASPS150S	SPIRAL PICK REAMER D.150 10 TON
ASPS200S	SPIRAL PICK REAMER D.200 10 TON
ASPS250S	SPIRAL PICK REAMER D.250 10 TON
ASPS300S	SPIRAL PICK REAMER D.300 15 TON
ASPS350S	SPIRAL PICK REAMER D.350 15 TON

---

ASPS400S	SPIRAL PICK REAMER D.400 20 TON
ASPS450S	SPIRAL PICK REAMER D.450 20 TON
ASPS500S	SPIRAL PICK REAMER D.500 20 TON
ASTS150S	SPIRAL TOOTH REAMER D150 10 TON
ASTS200S	SPIRAL TOOTH REAMER D200 10 TON
ASTS250S	SPIRAL TOOTH REAMER D250 10 TON
ASTS300S	SPIRAL TOOTH REAMER D300 15 TON
ASTS350S	SPIRAL TOOTH REAMER D350 15 TON
ASTS400S	SPIRAL TOOTH REAMER D400 20 TON
ASTS450S	SPIRAL TOOTH REAMER D450 20 TON
ASTS500S	SPIRAL TOOTH REAMER D500 20 TON
ACTS200S	COMPACTOR TOOTH REAMER D200 10T
ACTS250S	COMPACTOR TOOTH REAMER D250 10T
ACTS300S	COMPACTOR TOOTH REAMER D300 10T
ACTS350S	COMPACTOR TOOTH REAMER D350 15T
ACTS400S	COMPACTOR TOOTH REAMER D400 15T
ACTS500S	COMPACTOR TOOTH REAMER D500 15T
ACTS600S	COMPACTOR TOOTH REAMER D600 15T

---

## 8 OPEN REAMERS



**FIG. 19: OPEN REAMER**

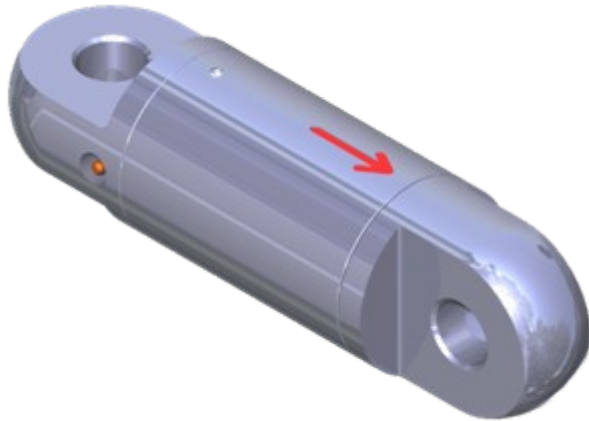
### **OPEN REAMER**

Its strategically placed carbide-tipped cutting teeth effectively and efficiently rip through tough ground conditions, including sandstone, cobble and shale. Angled fluid passages along the cutting blades provide plenty of flow and help keeping the blades clean. Diameter available from 250 to 600 mm.

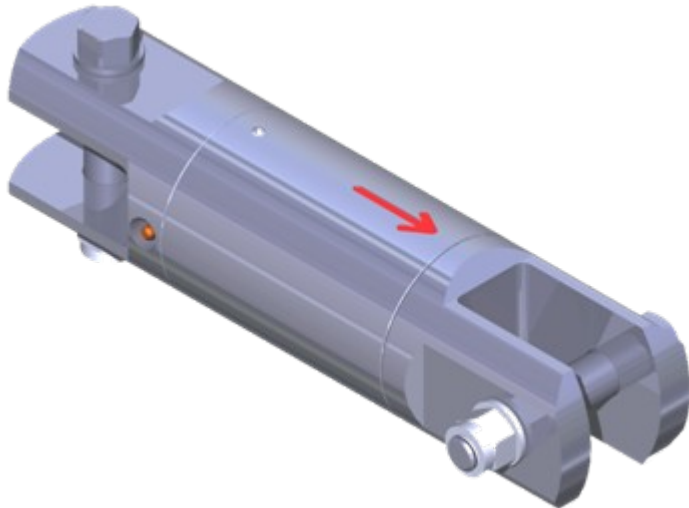
<b>CODE</b>	<b>DESCRIPTION</b>
ASOP250S	OPEN REAMER D250
ASOP300S	OPEN REAMER D300
ASOP400S	OPEN REAMER D400
ASOP500S	OPEN REAMER D500
ASOP600S	OPEN REAMER D600



## 9 PULLING SWIVELS



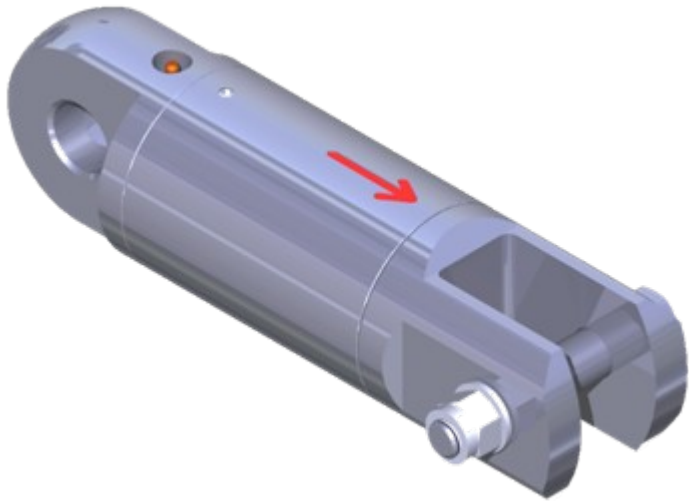
**FIG. 20: PIN-PIN TYPE SWIVEL**



**FIG. 21: CLEVIS-CLEVIS TYPE SWIVEL**

### **PULLING SWIVEL (DSWT)**

**Heavy duty thrust bearings and seals. Their grease nipples are well protected and allow an easy lubrication. Available in pin or clevis attachments. From 5 to 80 TON.**



**FIG. 22: PIN-CLEVIS TYPE SWIVEL**

<b>CODE</b>	<b>DESCRIPTION</b>
DSWTON05	DIRECTIONAL SWIVEL 05 TON D.76
DSWTON05/A	DIRECTIONAL SWIVEL 05T CLEVIS-PIN
DSWTON10	DIRECTIONAL SWIVEL 10 TON D.100
DSWTON10/A	DIRECTIONAL SWIVEL 10T CLEVIS-PIN
DSWTON15	DIRECTIONAL SWIVEL 15 TON D.120
DSWTON15/A	DIRECTIONAL SWIVEL 15T CLEVIS-PIN
DSWTON20	DIRECTIONAL SWIVEL 20 TON D.130
DSWTON20/A	DIRECTIONAL SWIVEL 20T CLEVIS-PIN
DSWTON30	DIRECTIONAL SWIVEL 30 TON D.160
DSWTON30/A	DIRECTIONAL SWIVEL 30T CLEVIS-PIN
DSWTON40	DIRECTIONAL SWIVEL 40 TON D.170
DSWTON40/A	DIRECTIONAL SWIVEL 40T CLEVIS-PIN
DSWTON60	DIRECTIONAL SWIVEL 60 TON D. 190
DSWTON60/A	DIRECTIONAL SWIVEL 60T CLEVIS-PIN
DSWTON80	DIRECTIONAL SWIVEL 80 TON D.220
DSWTON80/A	DIRECTIONAL SWIVEL 80T CLEVIS-PIN

## 10 PULLING SWIVELS BIG SIZE

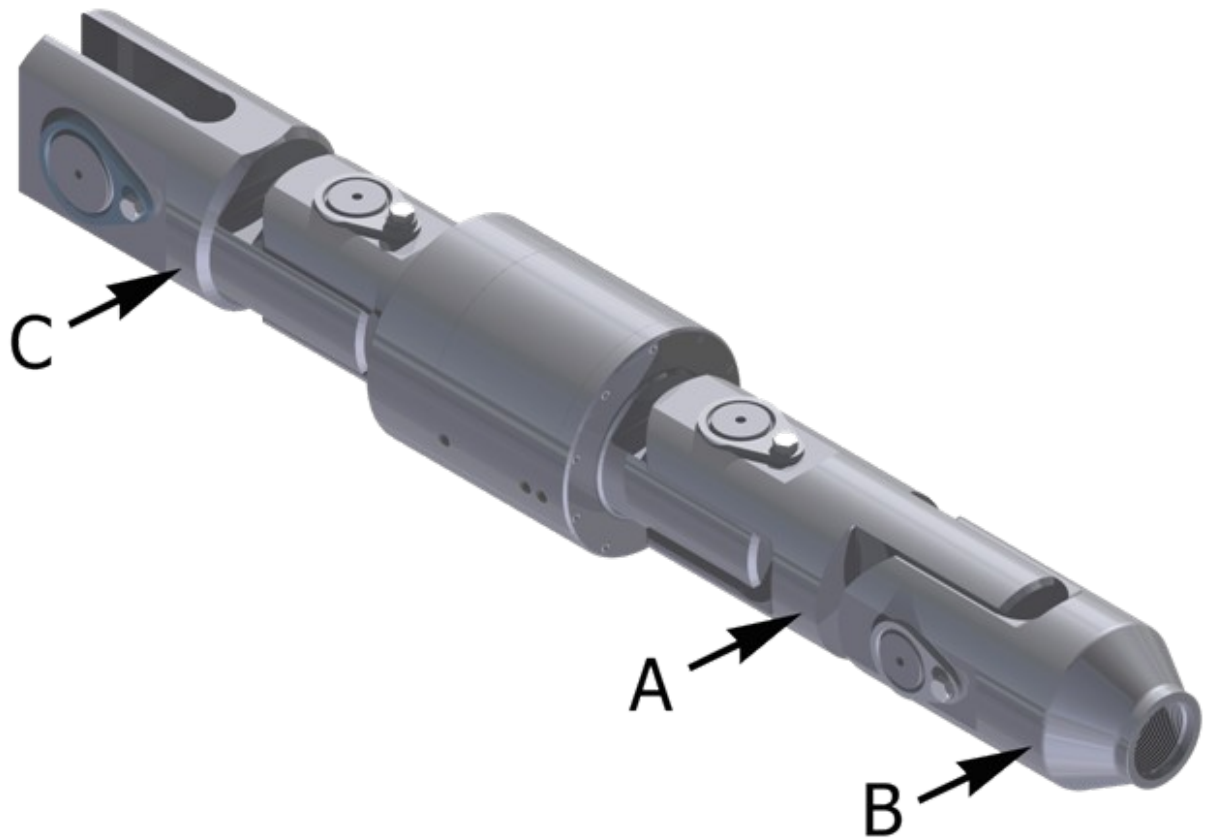


FIG. 23: PULLING SWIVEL BIG SIZE

**Thrust and radial bearing of great quality**

**Special labyrinth sealing system keeps bentonite out but allows greasing power.**

**Side grease point to allow easier greasing power.**

**Made of High Tensile steel.**

**The three side joints reduce the bending moments to the main swivel body, increasing the durability.**

<b>CODE</b>	<b>DESCRIPTION</b>
DSW120TON/A	DIR. SWIVEL 120T CLEVIS/CLEVIS
DSW120TON/B	TERMINALE 120 T PIN/NC50 F
DSW120TON/C	TERMINALE 120 T PIN/CLEVIS
DSW300TON	DIR. SWIVEL 300T CLEVIS/PIN
DSW300TON-A	TERMINALE 300 T CLEVIS/PIN
DSW300TON-B	TERMINALE 300T CLEVIS/BACK REAMER
DSW300TON-C	TERMINALE 300T PIN/PIPE HEAD

<b>CODE</b>	<b>DESCRIPTION</b>
DSW400TON	DIR. SWIVEL 400T CLEVIS/CLEVIS
DSW400TON-A	TERMINALE 400 PIN/PIN
DSW400TON-B	TERMINALE 400T CLEVIS/BACK REAMER
DSW400TON-C	TERMINALE 400T PIN/PIPE HEAD
DSW500TON	DIR. SWIVEL 500T CLEVIS/CLEVIS
DSW500TON-A	TERMINALE 500 PIN/PIN
DSW500TON-B	TERMINALE 500T CLEVIS/BACK REAMER
DSW500TON-C	TERMINALE 500T PIN/PIPE HEAD